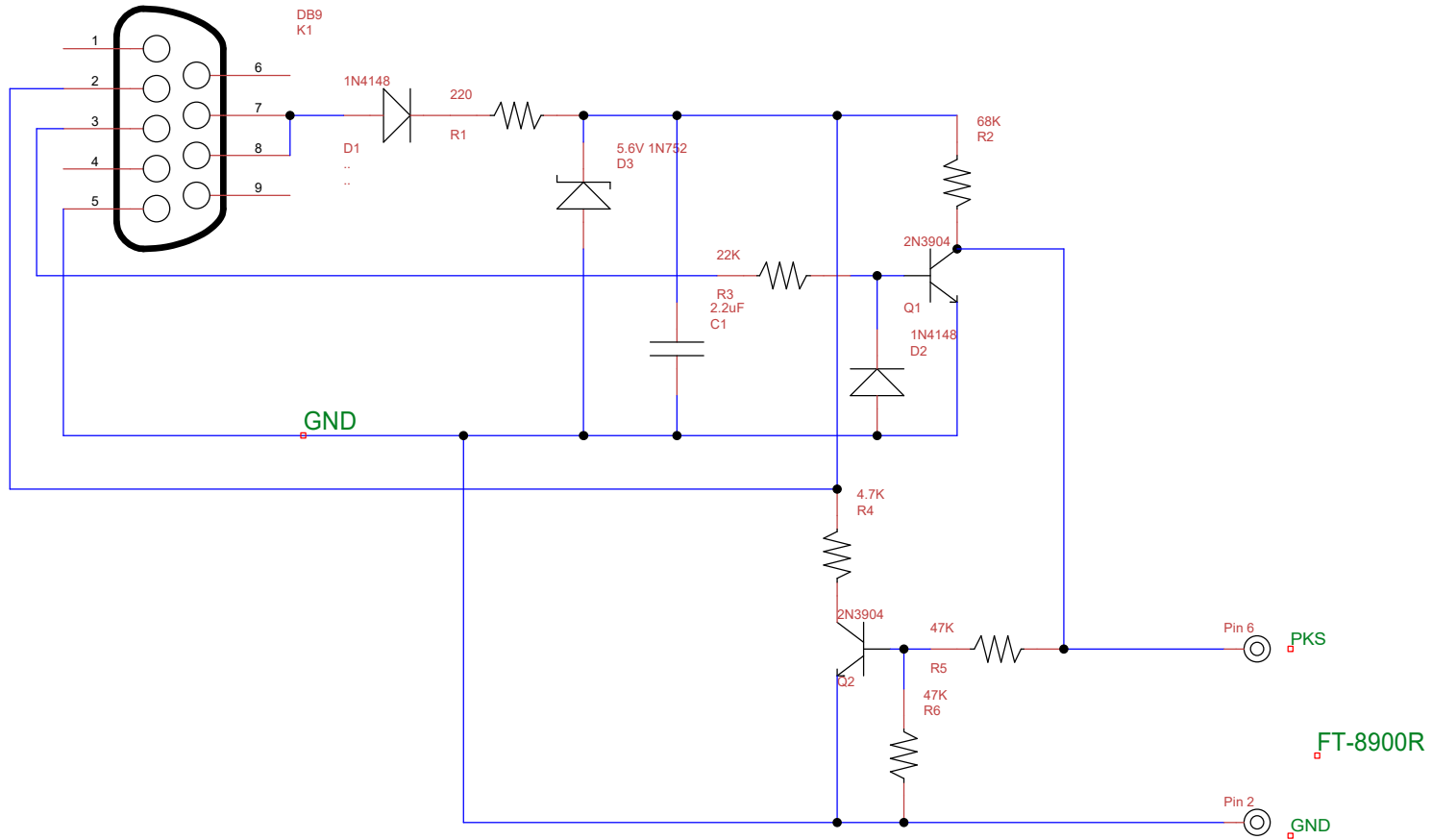


# DB-9 TO SERIAL PORT



Title ADMS2 Interface		
Author R. Cheek		
File Users\Bob\Documents\TinyCAD\ADMS2 Interface	Document	
Revision 1.0	Date 4/24/2016	Sheets 1 of 1